



AC/DC Power Supply
Ultra-high efficiency 1U size



patents pending



Standard

PLUG & PLAY POWER
next generation power source

FEATURES

- 1.5V to 58V standard output voltages
- All outputs fully floating
- Extra low profile: 1U height (40mm)
- Ultra high efficiency, up to 90%
- Plug & Play Power
 - allows fast custom configuration
 - allow easy logistics
- Reduced system heat dissipation
- Few electrolytic capacitors (all long life)
- Visual LED indicators
- Series / Parallel of multiple outputs
- 5V bias standby voltage provided
- Individual output control signals

APPLICATIONS INCLUDE

- Industrial machines
- Test and measurement
- Automation equipment
- Printing
- Telecommunications
- For Medical applications see Xvite

The Xcite family of power supplies provides up to an incredible 1200W in an extremely compact 1U x 260 x 127mm package. Boasting industry leading power density of 15W/in³ and efficiencies of up to 90%, the Xcite family employs an innovative plug & play architecture that allows users to instantly configure a custom power solution in less than 5 minutes!

Ultra high efficiencies and high power density are made possible through the combination of low loss technologies and the best field-proven technologies in planar magnetics and surface mount electronics. Significantly increased efficiency reduces system thermal load by more than 50%.

The Xcite family consists of 4 *powerPac* models ranging in power levels from 400W to 1200W. Each model may be populated with up to 6 *powerMods* selected from the table of *powerMods* shown below.

All configurations carry full safety agency approvals, UL60950, EN60950 and are CE marked.

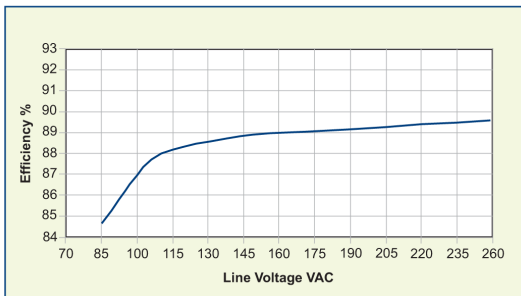
powerMods

MODEL	Vmin	Vnom	Vmax	I _{max}	Watts
Xg1	1.5	2.5	3.6	50A	125W
Xg2	3.2	5.0	6.0	40A	200W
Xg3	6.0	12.0	15.0	20A	240W
Xg4	12.0	24.0	30.0	10A	240W
Xg5	28.0	48.0	58.0	6A	288W
Xg7	5.0	24.0	28.0	5A	120W
Xg8	v1	5.0	24.0	3A	72W
	v2	5.0	24.0	3A	72W

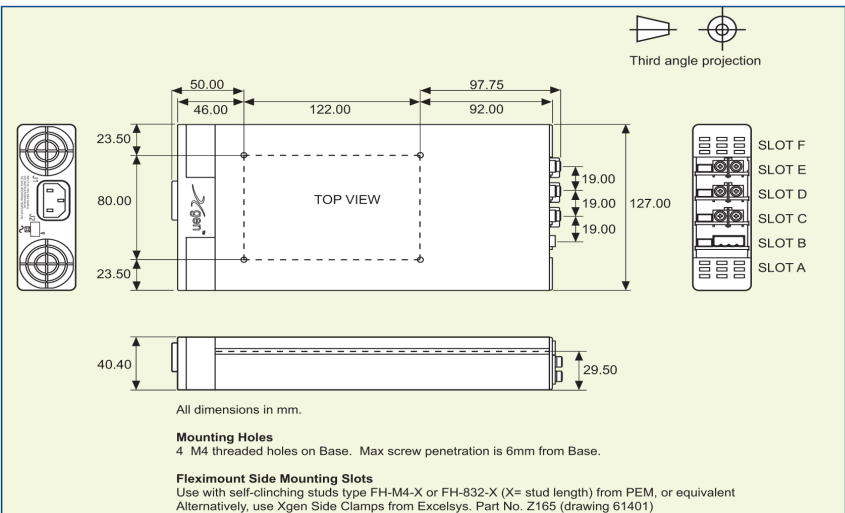
powerPacs

	MODEL	Watts
Xcite	XCA	400W
	XCB	700W
	XCC	1000W
	XCD	1200W

EFFICIENCY (typical)



MECHANICAL SPECIFICATIONS



SPECIFICATION applies to configured units consisting of *powerMods* modules plugged into the appropriate *powerPac*

INPUT					
Parameter	Conditions/Description	Min	Nom	Max	Units
Input Voltage Range	Universal Input	85		264	VAC
		120		380	VDC
Input Frequency Range		47		63	Hz
Power Rating	XCA			400	W
	XCB			700	W
	XCC	Derate linearly from 1000W at 100VAC to 850W at 85VAC		1000	W
	XCD	Derate linearly from 1200W at 120VAC to 850W at 85VAC		1200	W
Input Current	XCA	85VAC in 400W out	7.5		A
	XCB	85VAC in 700W out	9.5		A
	XCC, XCD	85VAC in 850W out	11.5		A
	Inrush Current	230VAC @ 25°C		25	A
Undervoltage Lockout	Shutdown	65		74	VAC
Fusing	XCA	250V		F8A HRC	
	XCB	250V		F10A HRC	
	XCC, XCD	250V		F12A HRC	

OUTPUT					
Parameter	Conditions/Description	Min	Nom	Max	Units
<i>powerMod</i> Power	As per <i>powerMod</i> table				
Output Adjustment Range	Manual: Multi-turn potentiometer. As per <i>powerMod</i> table				
	Electronic: See Xgen Designers' Manual				
Minimum Load			0		A
Line Regulation	For ±10% change from nominal line			±0.1	%
Load & Cross Regulation	For 25% to 75% load change			±0.2	%
Transient Response	For 25% to 75% load change	Voltage Deviation		10	%
				Settling Time	250
Ripple and Noise	20MHz Bandwidth			1.0	% pk-pk
Overvoltage Protection	1st level: Vset Tracking. 2nd level: Vmax (Latching)	110		125	%
Overcurrent Protection	Straight line with hiccup activation at <30% of Vnom See Designer's Manual for full details	110		120	%.
Remote Sense	Max. line drop compensation. (except Xg7, Xg8)			0.5	VDC
Overshoot				2	%
Turn-on Delay	From AC In / Enable signal			300 / 30	ms
Rise Time	Monotonic			5	ms
Hold-up Time	For nominal output voltages at full load. XCA,XCB,XCC / XCD	20 / 15			ms
Output Isolation	Output to Output / Output to Chassis	500 / 500			VDC

GENERAL					
Parameter	Conditions/Description	Min	Nom	Max	Units
Isolation Voltage	Input to Output	3000			VAC
	Input to Chassis	1500			VAC
Efficiency	230VAC, 1200W @ 24V		90		%
Safety Agency Approvals	EN60950, UL60950, CSA22.2 No.950 UL File No. E181875				
Leakage Current	250VAC, 60Hz, 25°C			1.5	mA
Signals	See Xgen Series datasheet				
Bias Supply	Always ON. Current 250mA	4.9	5.0	5.1	VDC
Reliability	Failures per million hours at 25°C and full load			1.0	fpmh
	See Designers' Manual. <i>powerPac</i> excludes fans			0.6	fpmh

EMC					
Parameter	Standard		Level		Units
Emissions					
Conducted	EN55011, EN55022, FCC		Level B		
Radiated	EN55011, EN55022, FCC		Level B		
Harmonic Distortion	EN61000-3-2		Compliant		
Flicker and Fluctuation	EN61000-3-3		Compliant		
Immunity					
Electrostatic Discharge	EN61000-4-2		Level 4		
Radiated RFI	EN61000-4-3		Level 3		
Fast Transients - burst	EN61000-4-4		Level 4		
Input Line Surges	EN61000-4-5		Class 4		
Conducted RFI	EN61000-4-6		10		V/m
Voltage Dips	EN61000-4-11 (EN55024)		10		ms

ENVIRONMENTAL					
Parameter	Conditions/Description	Min	Nom	Max	Units
Operating Temperature		-20		+70	°C
Storage Temperature		-40		+85	°C
Derating	1.6% per °C above 40°C. See Designers Manual for full deratings				
Relative Humidity	Non-condensing	5		95	%RH
Shock	3000 Bumps, 10G (16ms) half sine				
Vibration	1.5G	10		200	Hz

- NOTES**
1. This product is not intended for use as a stand alone unit and must be installed by qualified personnel.
 2. The specifications contained herein are believed to be correct at time of publication and are subject to change without notice.
 3. All specifications at nominal input, full load, 25°C unless otherwise stated.